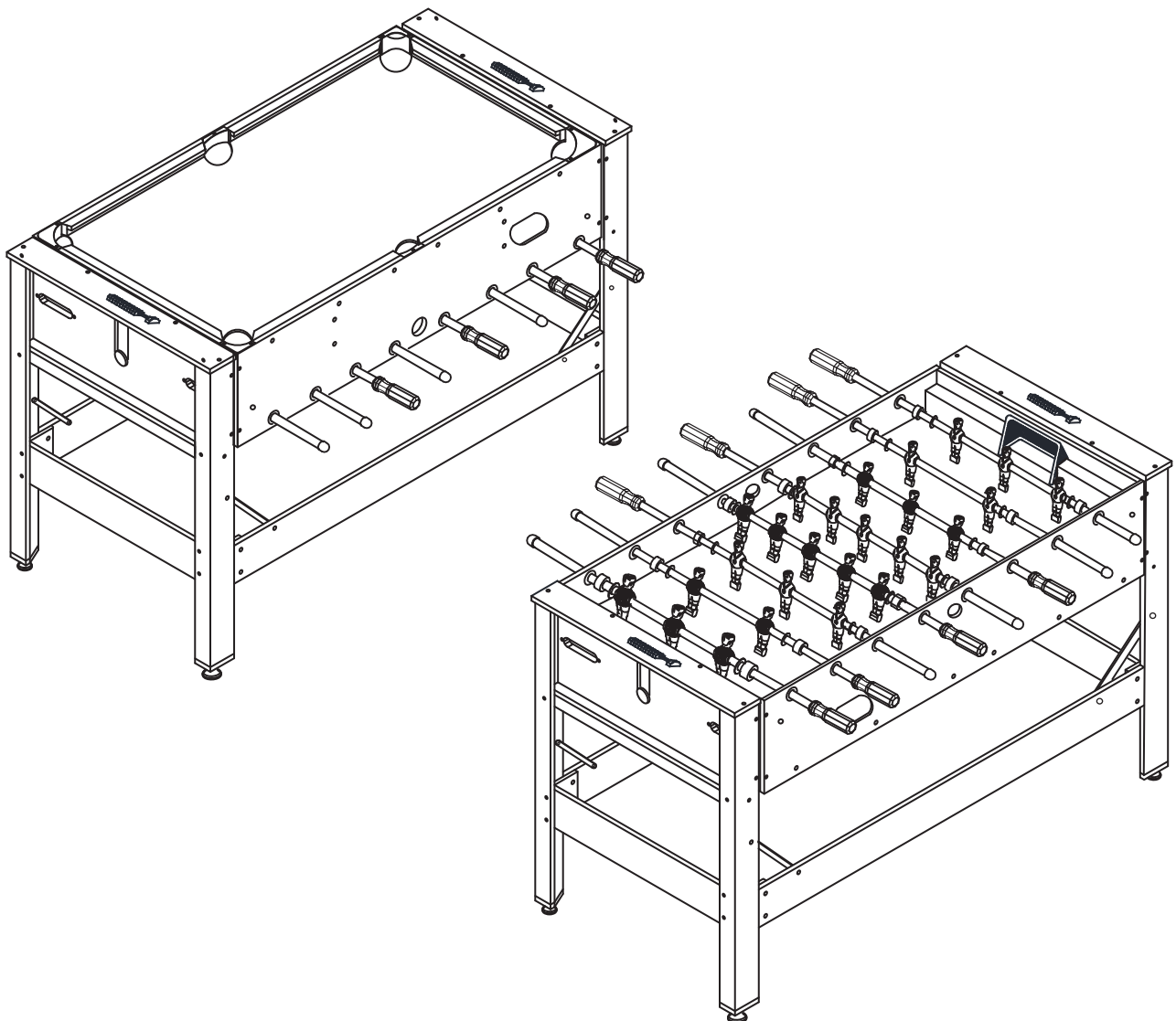




KICK Twain 48"

(Brown/Black)

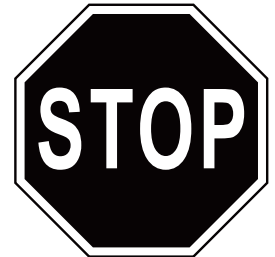
2 IN 1 MULTI-GAME SWIVEL FOOSBALL TABLE
ASSEMBLY INSTRUCTIONS



FY420

Assembly Instructions

WARNING: TWO ADULTS ARE NEEDED TO ASSEMBLE THE SOCCER TABLE



Official Website of KICK Foosball Tables



IF YOUR TABLE HAS DAMAGES, MISSING PARTS, OR YOU ARE NOT **100%** SATISFIED PLEASE CONTACT **KICK, NOT THE RESELLER.**

← SCAN THIS QR CODE TO CONTACT US IF YOU FACE ANY ISSUES.

FOR THE LATEST INSTRUCTION MANUALS, VIDEOS, TABLE ASSEMBLY INFO, DIFFERENT GOALIE SETUPS, PLAYER TYPES, AND OTHER HELPFUL TIPS - PLEASE VISIT THE LINK BELOW OR SCAN THIS QR CODE →

www.KICKFoosballTables.com/Instructions/



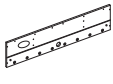
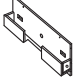
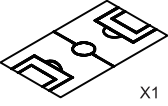
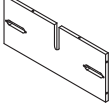



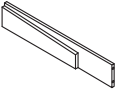
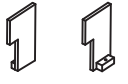
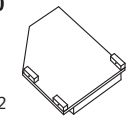
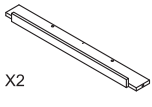
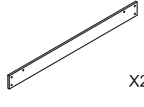
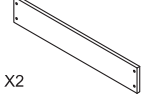
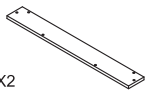


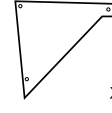
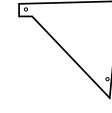
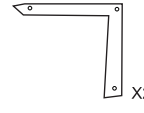
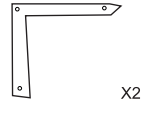
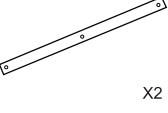
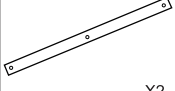
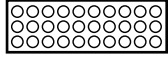
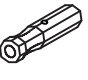





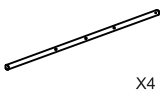
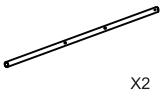
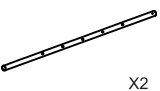
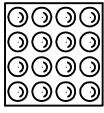





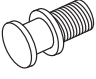



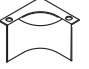




CONTACT INFORMATION:

Email: Support@KICKFoosballTables.com
Website: www.KICKFoosballTables.com
Phone: 1 (866) 844-KICK (5425) or (210) 664-8934

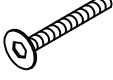

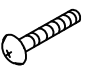




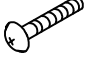







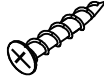


MAILING ADDRESS:

KICK Sports
PO Box 790311
San Antonio, Texas 78279

PARTS LIST

1  X2 SIDE PANEL	2  X2 END PANEL	3  X1 PLAYFIELD	4  X2 LEG PANEL	5  X2 RIGHT LEG	6  X2 LEFT LEG	7  X1 BILLIARD TABLE
8  X2 SUPPORT BRACE	9 9A-2PCS 9B-2PCS  X4 BALL RETURN SUPPORT BOARD	10  X2 BALL RETURN BOTTOM BOARD	11  X2 ACCESSORY HOLDER BOARD	12  X2 SIDE LEG PANEL	13  X2 END LEG SUPPORT PANEL	14  X2 END TOP RAIL
15  X4 LEG LEVELER	16  X4 STOP RING	1c  X2 TRIANGLE a	1d  X2 TRIANGLE b	2c  X2 L STYLE PLASTIC a	2d  X2 L STYLE PLASTIC b	3c  X2 LONG PLASTIC a
3d  X2 LONG PLASTIC b	P13a 1 SET  SCREW HOLE CAP (to cover the hole of the screws S1)	18  X8 ROD HANDLE	19  X8 ROD END CAP	20  X16 ROD BUMPER	21  X16 ROD WASHER	22a  X13 PLAYER
22b  X13 PLAYER	23  X4 3 PLAYER ROD	24  X2 2 PLAYER ROD	25  X2 5 PLAYER ROD	26  X1 BILLIARD BALLS SET	27  X1 TRIANGLE	28  X2 CUC STICK
29  X1 BRUSH	30  X2 CHALKS	31  X2 SOCCER BALL	32  X2 ROTATION AXIS	33  X8 PLAYER ROD STOPPER	34  X4 LOCKER	35  X2 MANUAL SCORER
36  X4 CORNER POCKET LID	37  X2 SIDE POCKET LID	38  X2 SOCCER GOAL	39  X4 SPACER BLOCK	40  X4 METAL LEG SUPPORT		

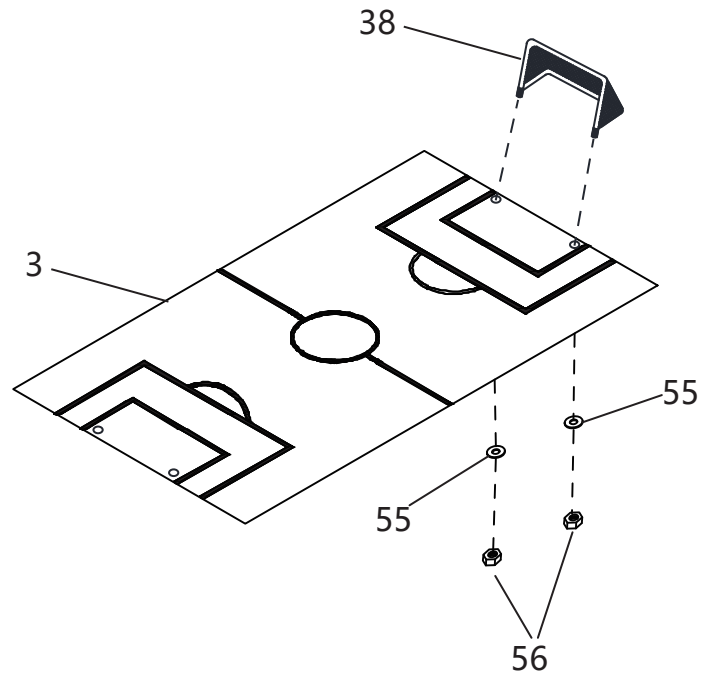
HARDWARE

44 X12  1/4" x 1-1/2" BOLT	45 X24  1/4" x 1-1/8" BOLT	46 X26  1/8" x 3/4" BOLT	47 X26  1/8" NUT	48 X16  1/8" x 1-3/4" SCREWS	49 X8  1/8" x 5/8" SCREWS	50 X10  1/8" x 1/2" SCREWS
51 X8  5/32" x 1" BOLT	52 X8  5/32" NUT	53 X18  1/8" x 1" SCREWS	54 X1  ALLEN WRENCH	55 X48  1/4" WASHER	56 X4  M6 NUT	57 X22  1/8" x 1" SCREWS
58 X24  1/8" x 1-1/2" SCREWS	59 X8  1/8" x 1/2" SCREWS	60 X8  1/4" NUT	S2 X36  3/8" FLAT HEAD SCREWS			

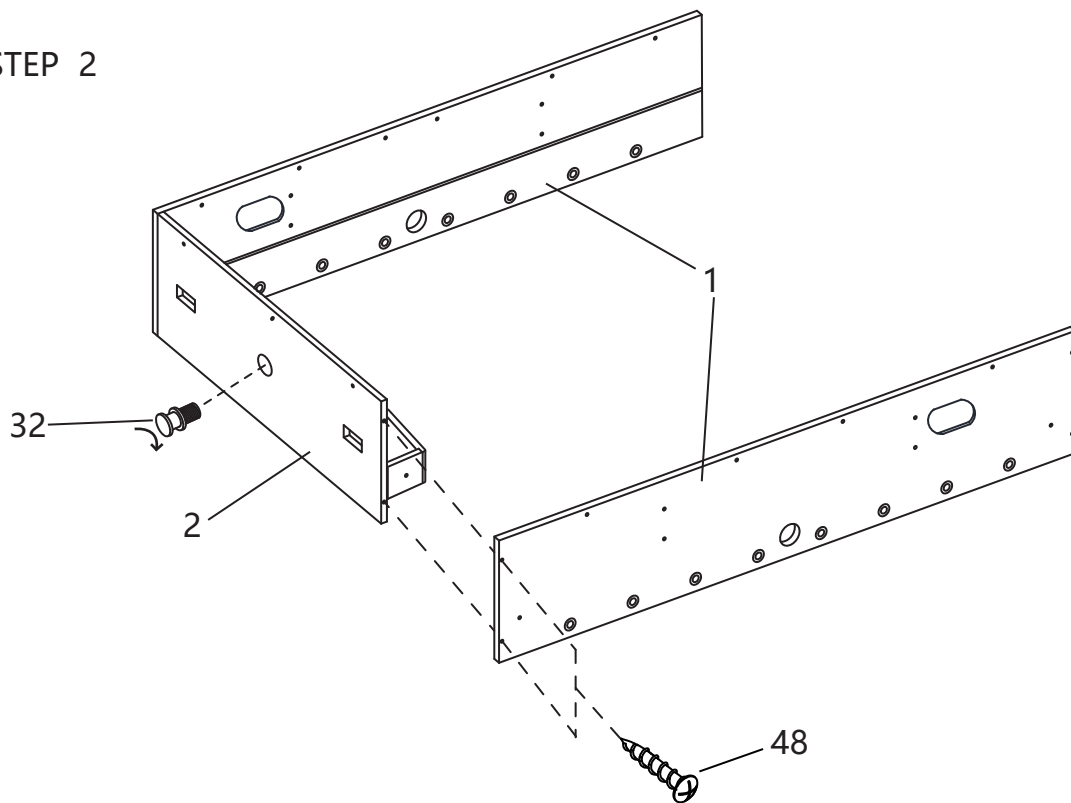
Assembly Instructions

WARNING: TWO ADULTS ARE NEEDED TO ASSEMBLE THE SOCCER TABLE

STEP 1 Attach the 2 SOCCER GOALS (#38) to the both ends of the Play Field (#3)



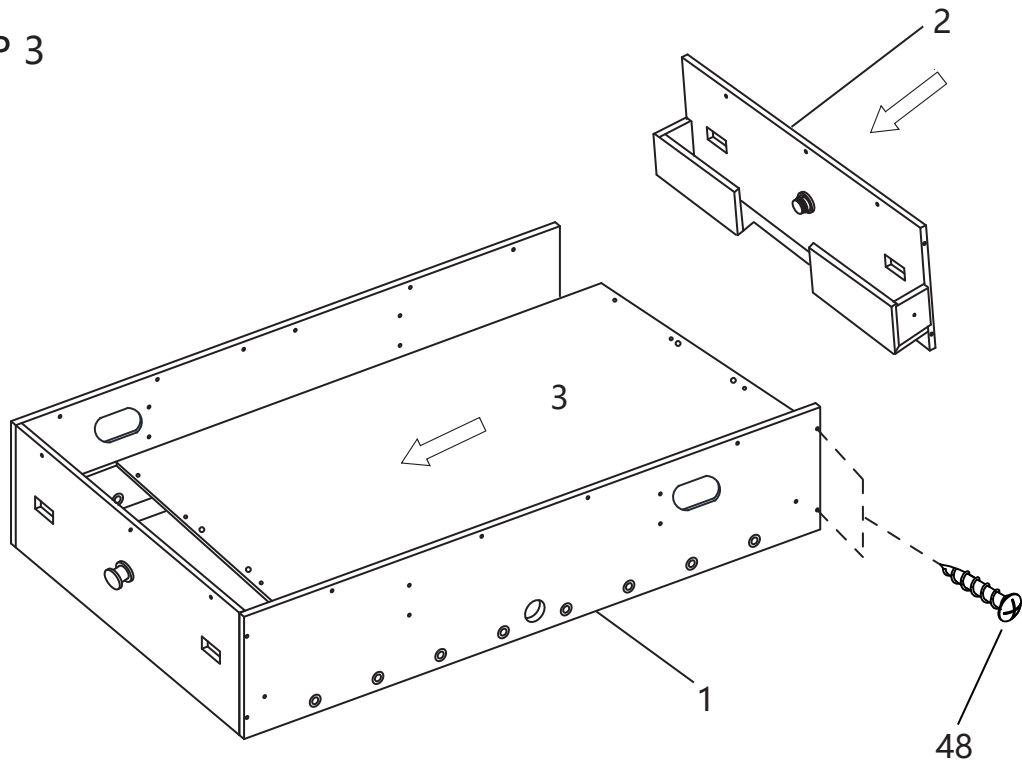
STEP 2



Assembly Instructions

WARNING: TWO ADULTS ARE NEEDED TO ASSEMBLE THE SOCCER TABLE

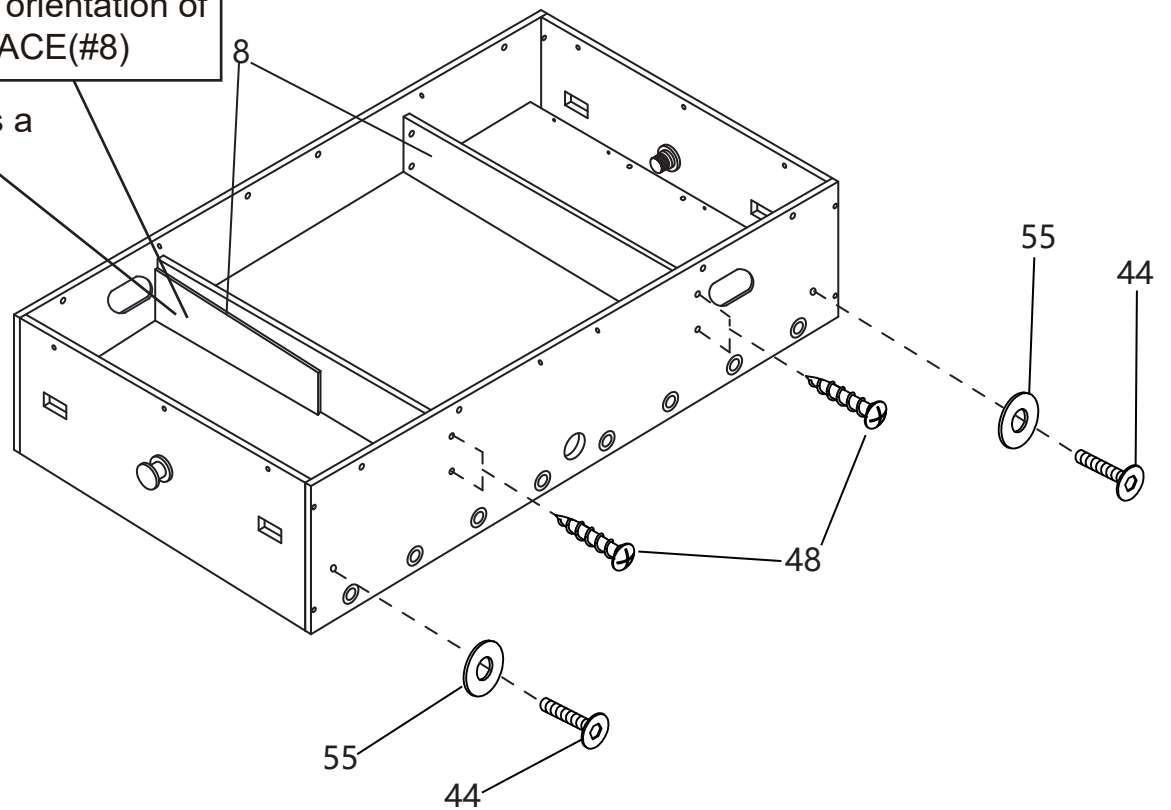
STEP 3



STEP 4

Note the mounting orientation of the SUPPORT BRACE(#8)

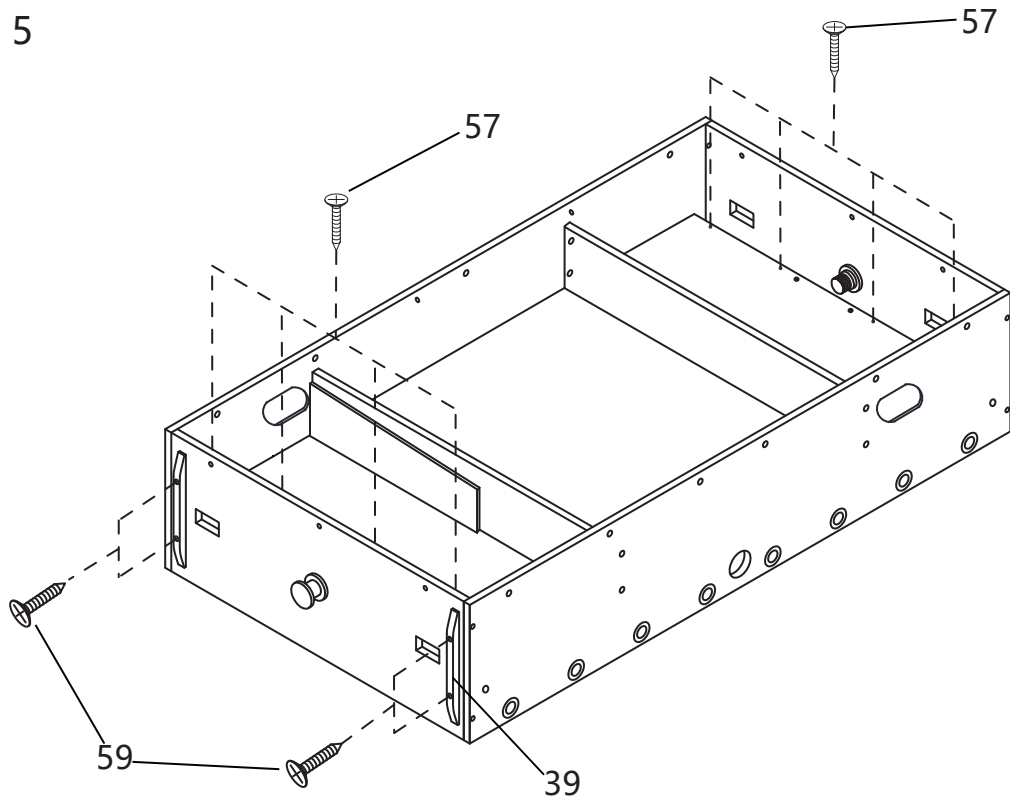
This side of #8 has a supporting board



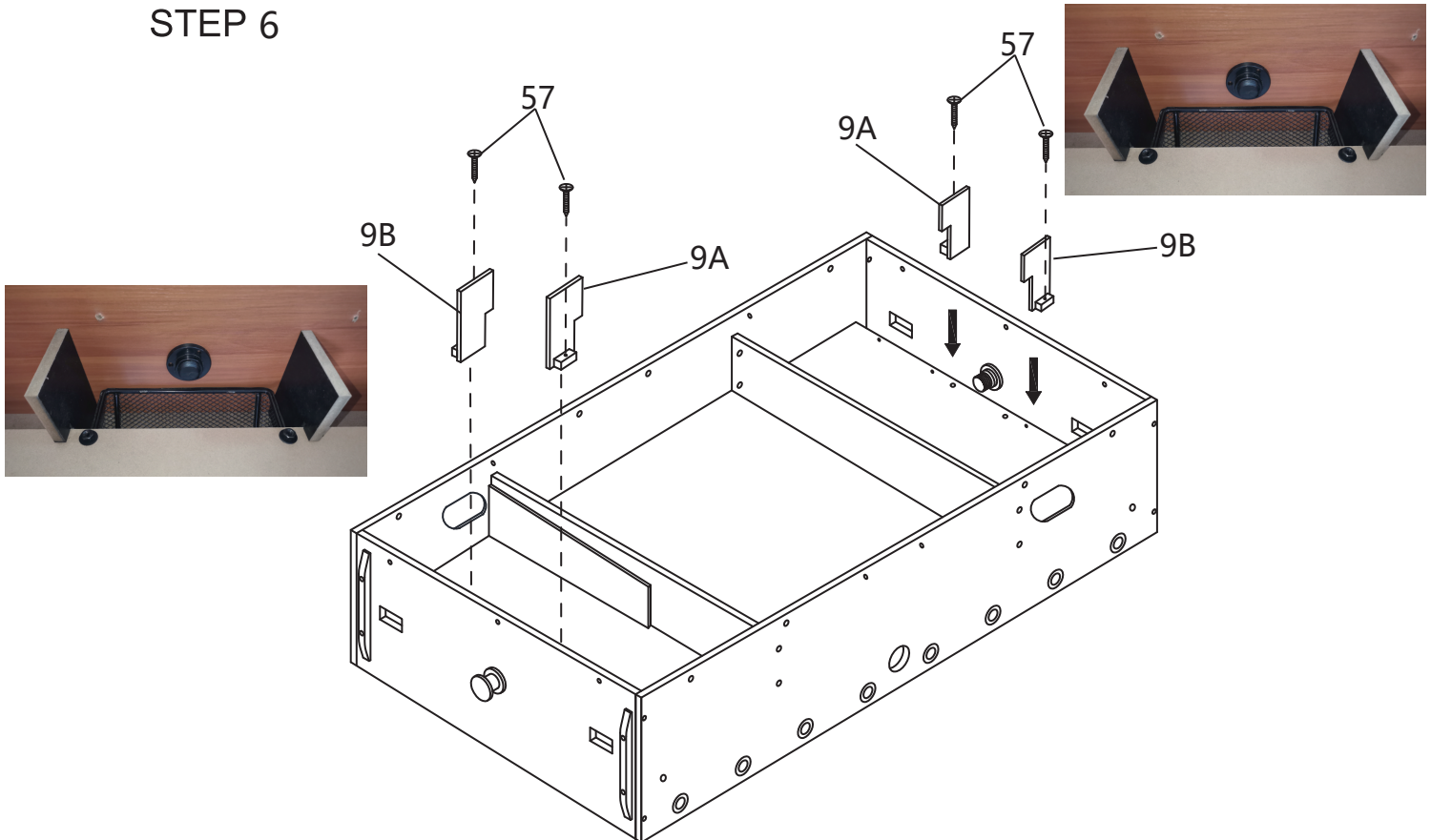
Assembly Instructions

WARNING: TWO ADULTS ARE NEEDED TO ASSEMBLE THE SOCCER TABLE

STEP 5



STEP 6

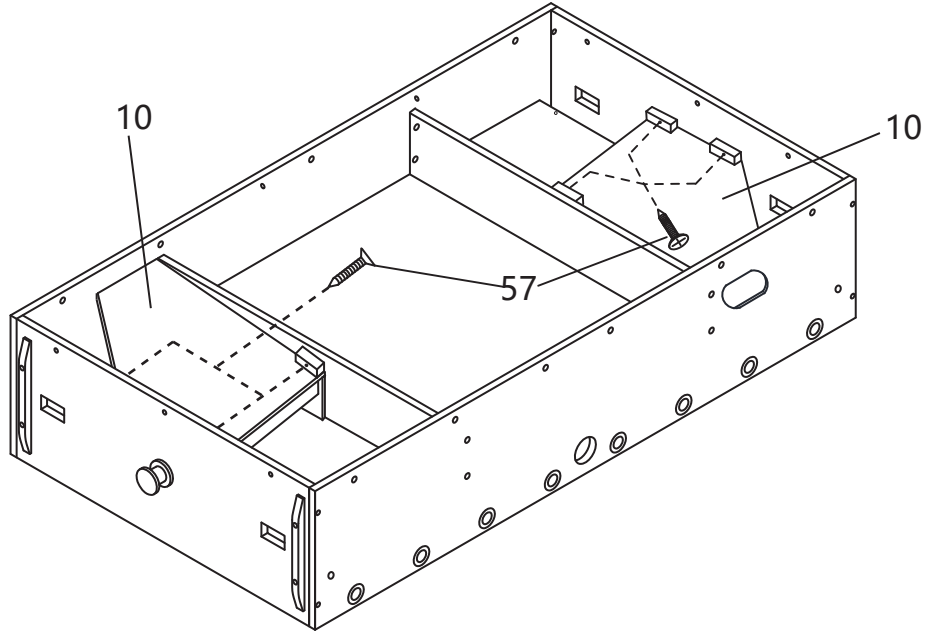


Assembly Instructions

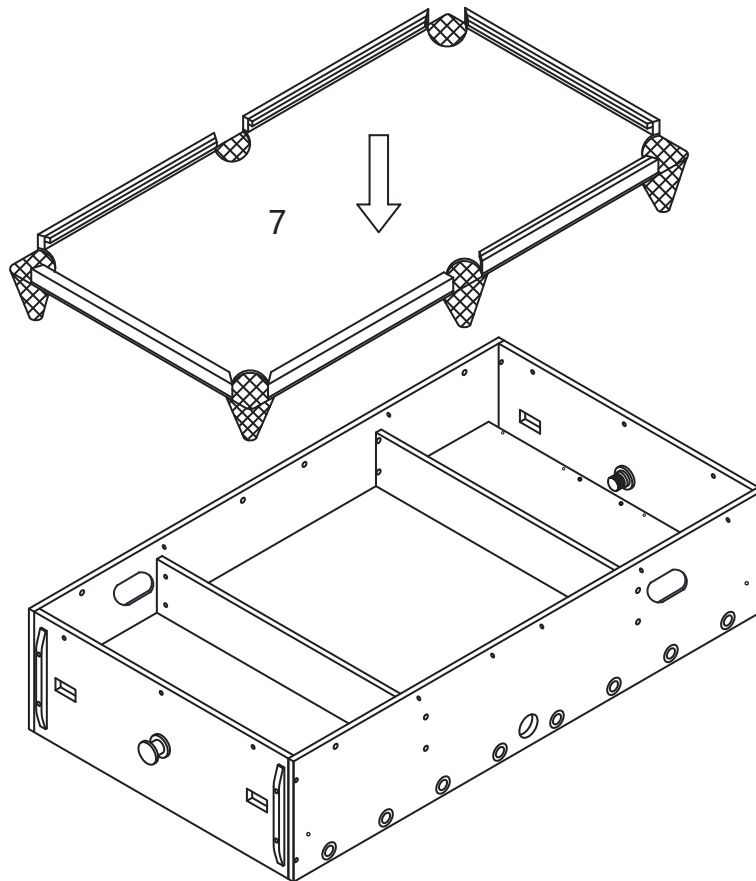
WARNING: TWO ADULTS ARE NEEDED TO ASSEMBLE THE SOCCER TABLE

STEP 7

In this step please pay attention the orientation and the position for the BALL RETURN BOTTOM BOARD (#10)



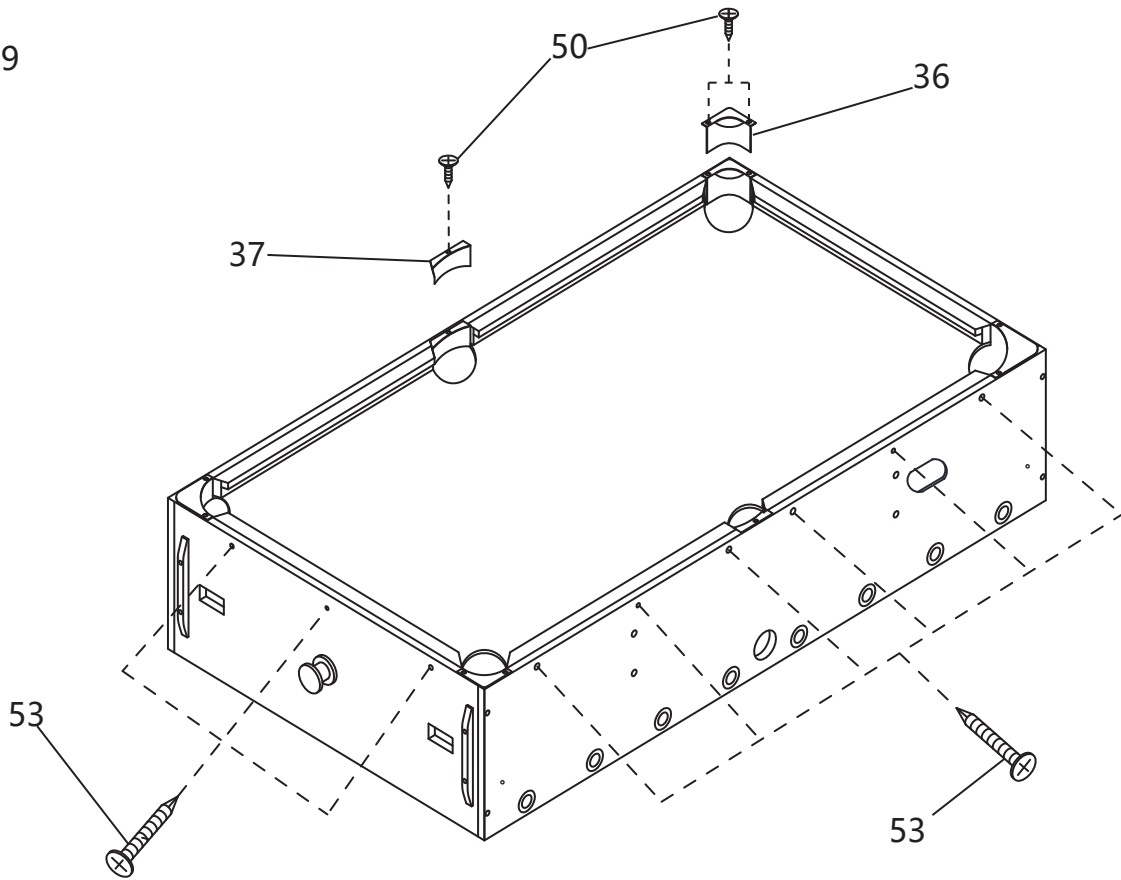
STEP 8



Assembly Instructions

WARNING: TWO ADULTS ARE NEEDED TO ASSEMBLE THE SOCCER TABLE

STEP 9

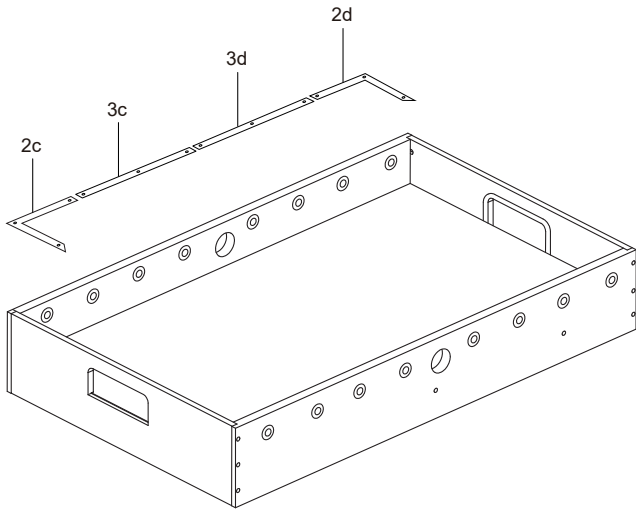


Assembly Instructions

WARNING: TWO ADULTS ARE NEEDED TO ASSEMBLE THE SOCCER TABLE

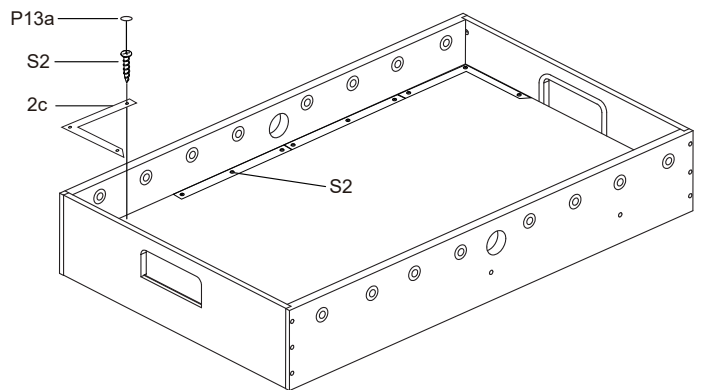
STEP 10A

Steps 10A to 10E are optional if you want.



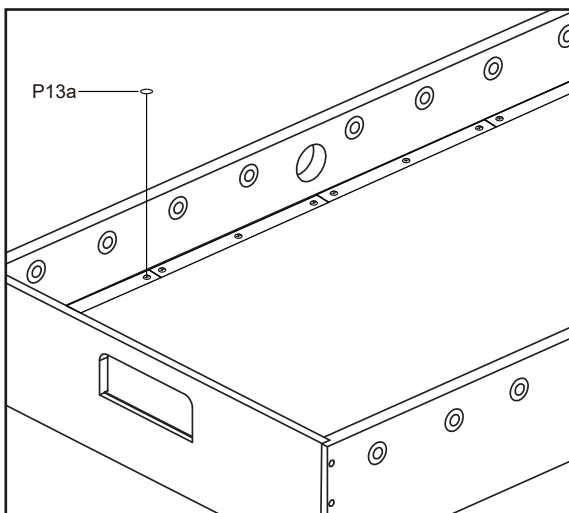
STEP 10B

Attach the plastic 2c, 2d, 3c, 3d to the playing field with S2.

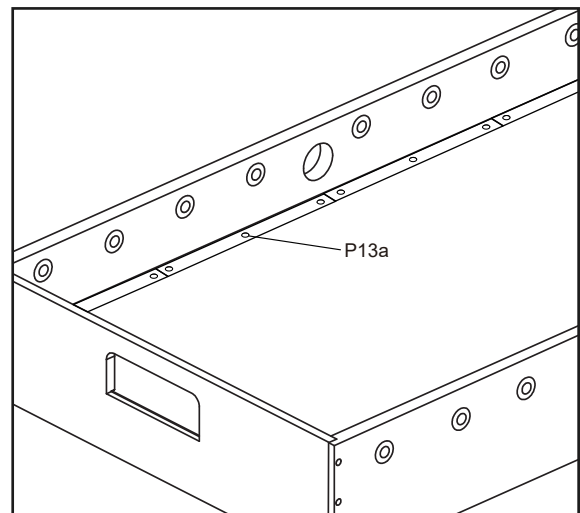


STEP 10C

Cover the Screw Hole Cap P13a to the screw hole.



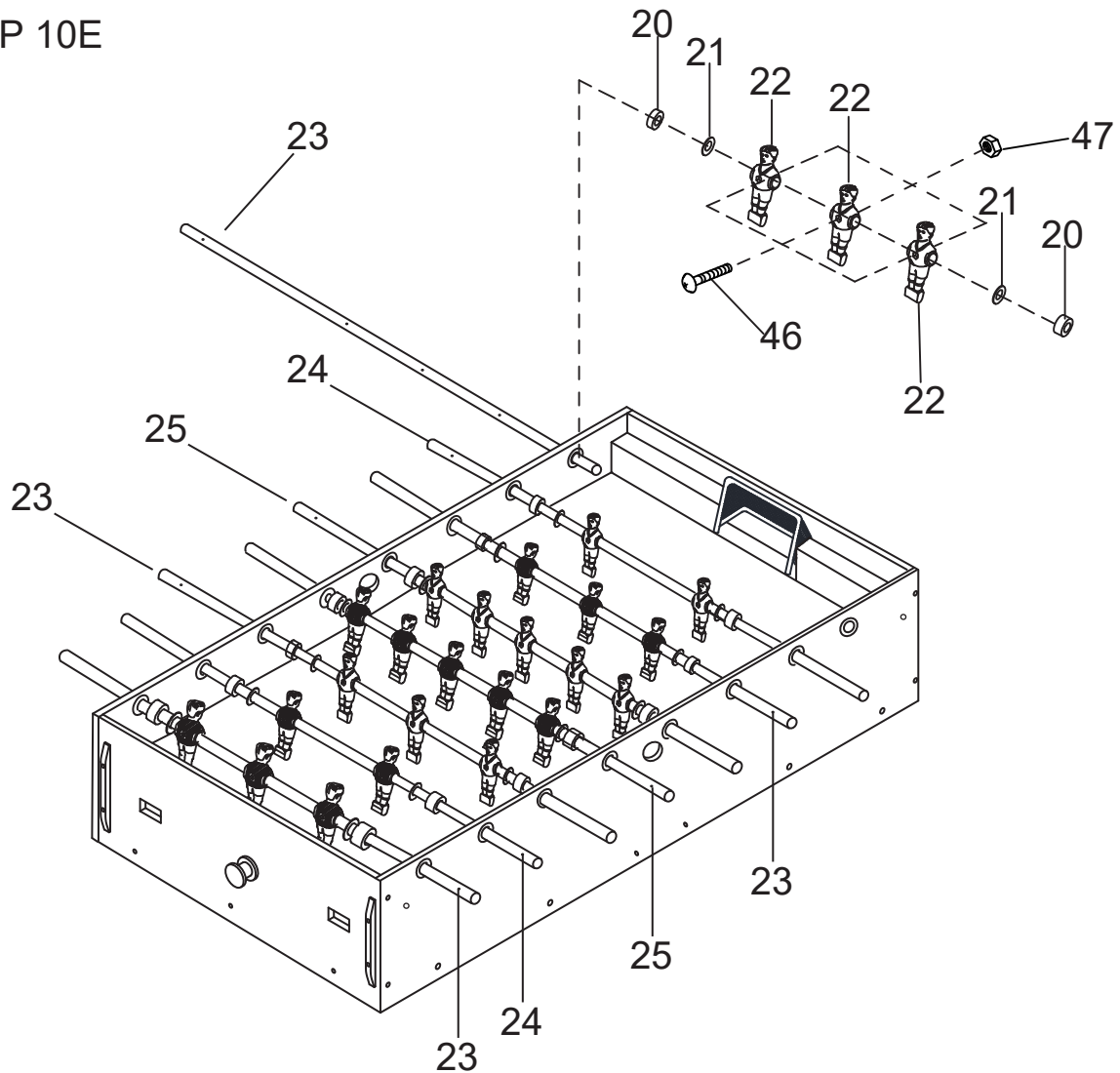
STEP 10D



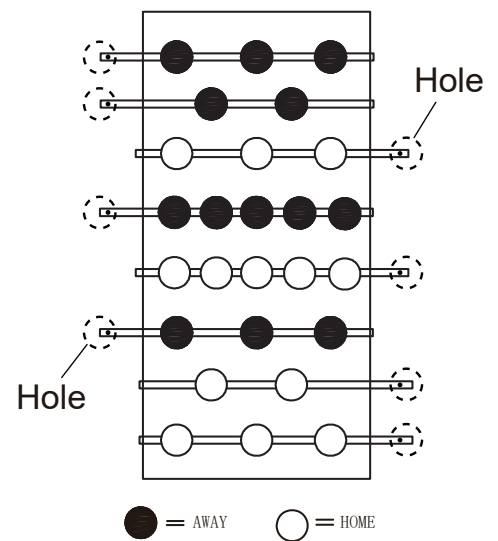
Assembly Instructions

WARNING: TWO ADULTS ARE NEEDED TO ASSEMBLE THE SOCCER TABLE

STEP 10E



Insert the rod end part way through one side panel, and then place the rest of the parts needed on each rod, in the order shown, before inserting through the other side panel.

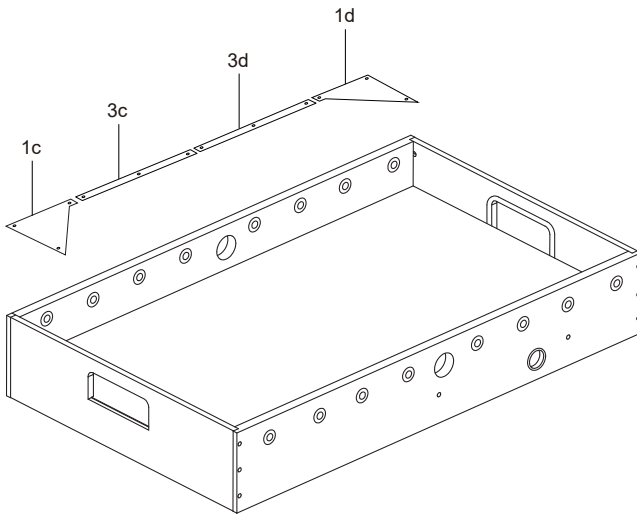


Assembly Instructions

WARNING: TWO ADULTS ARE NEEDED TO ASSEMBLE THE SOCCER TABLE

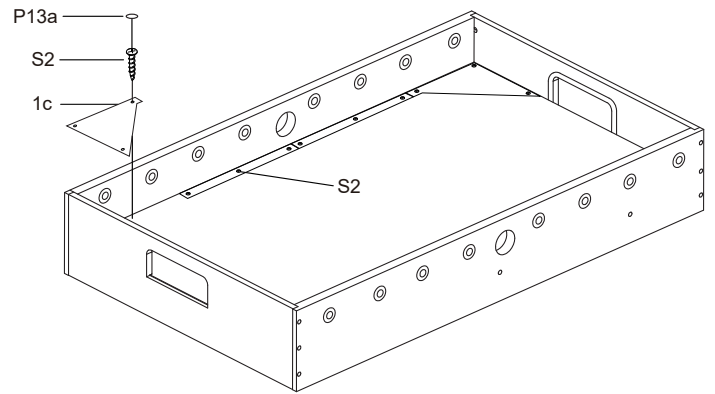
STEP 11A

Steps 11A to 11E are optional if you want.



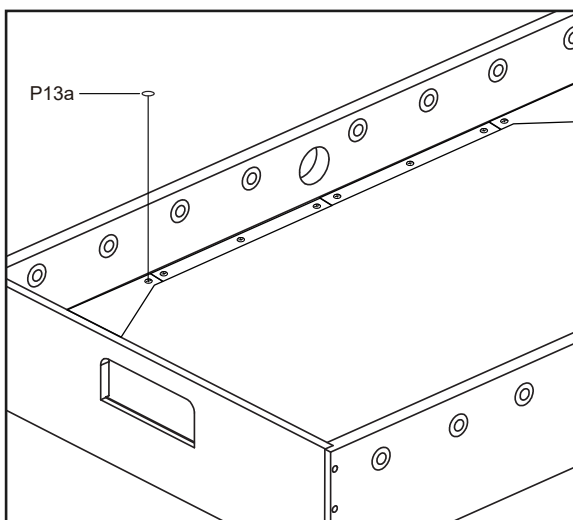
STEP 11B

Attach the plastic 1c, 1d, 3c, 3d to the playing field with S2.

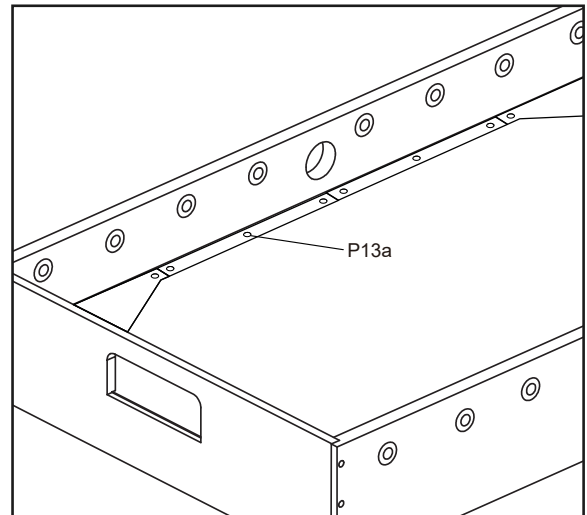


STEP 11C

Cover the Screw Hole Cap P13a to the screw hole.



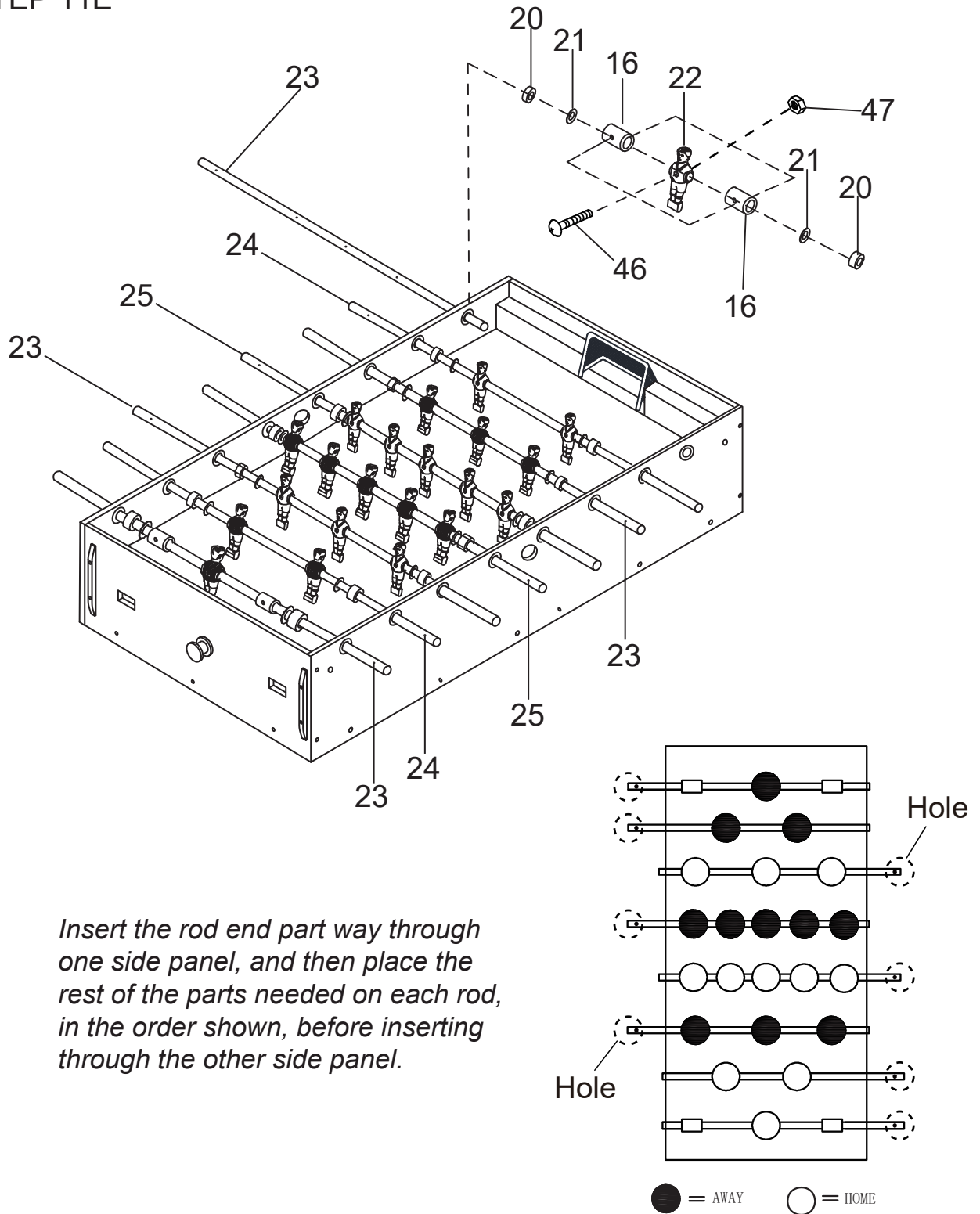
STEP 11D



Assembly Instructions

WARNING: TWO ADULTS ARE NEEDED TO ASSEMBLE THE SOCCER TABLE

STEP 11E

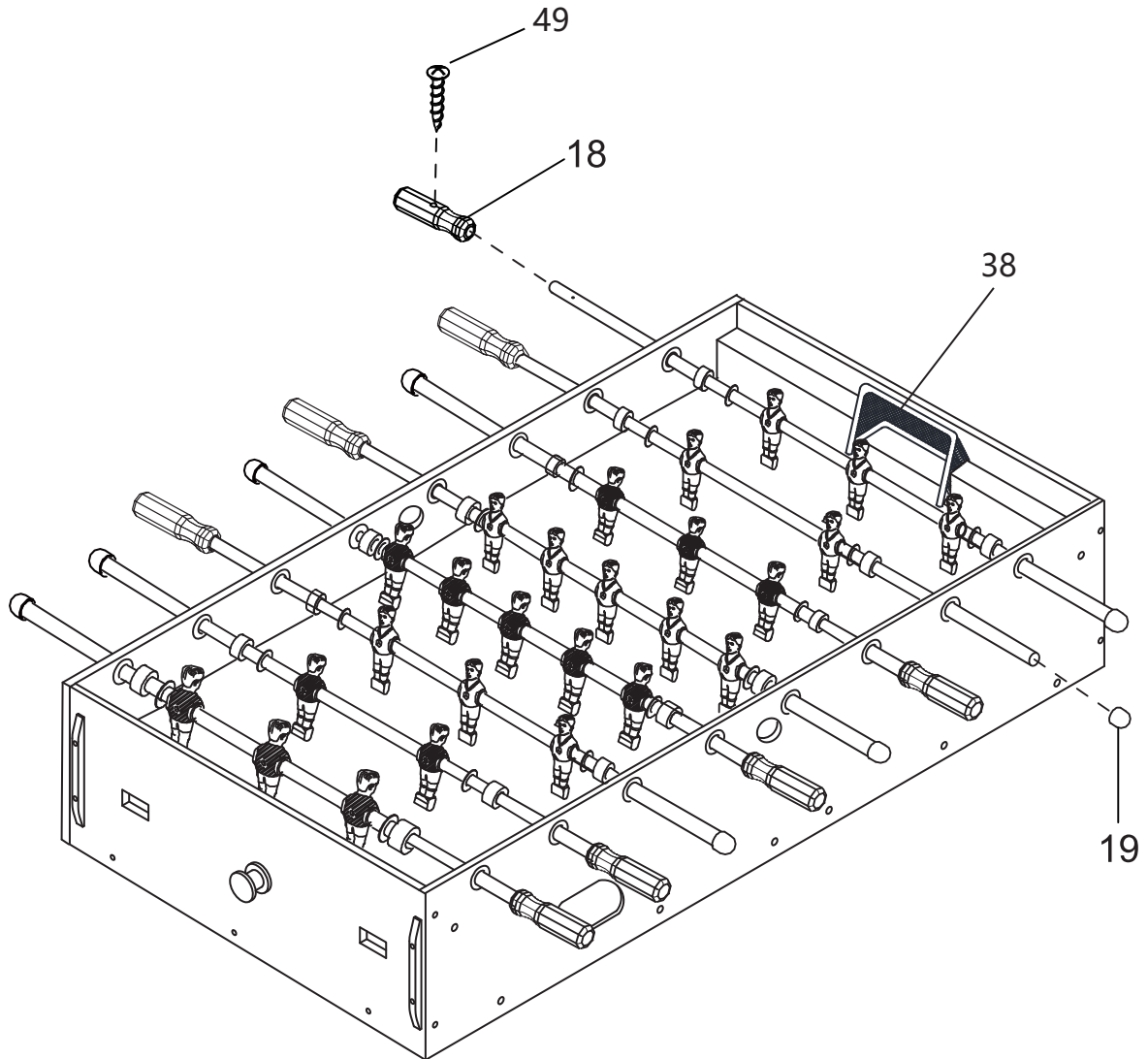


Insert the rod end part way through one side panel, and then place the rest of the parts needed on each rod, in the order shown, before inserting through the other side panel.

Assembly Instructions

WARNING: TWO ADULTS ARE NEEDED TO ASSEMBLE THE SOCCER TABLE

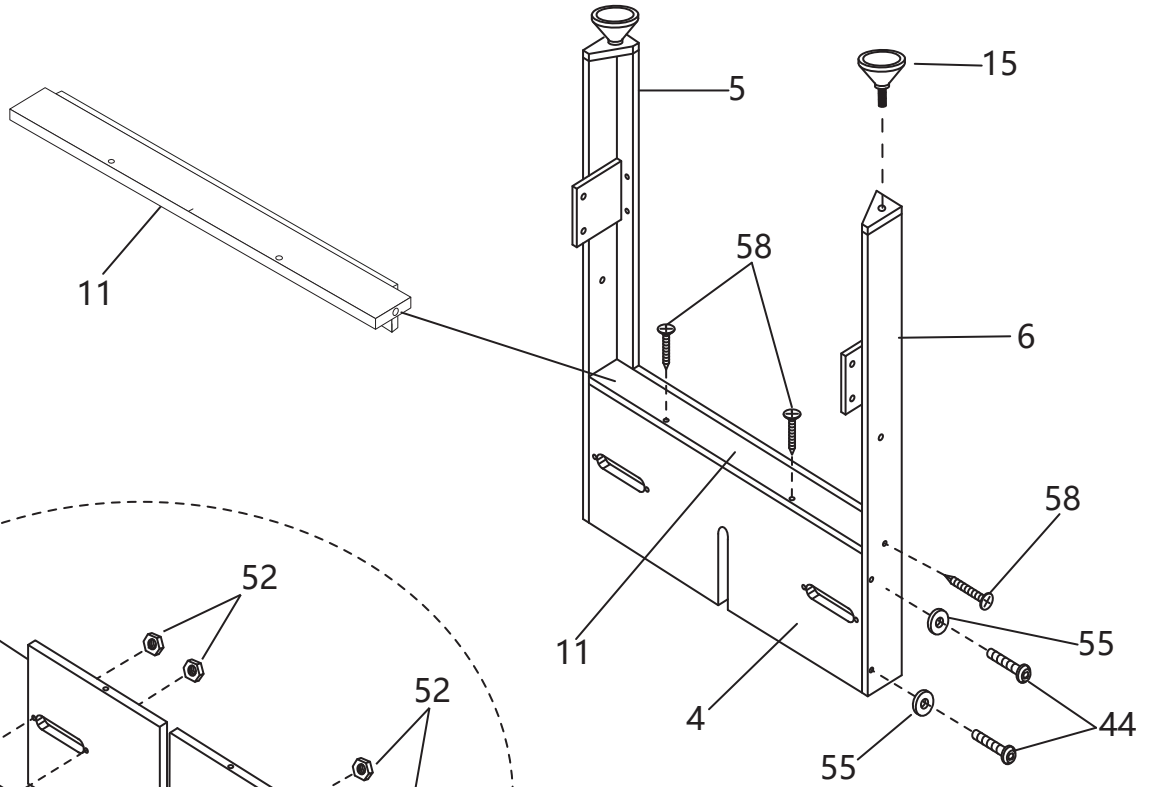
STEP 12



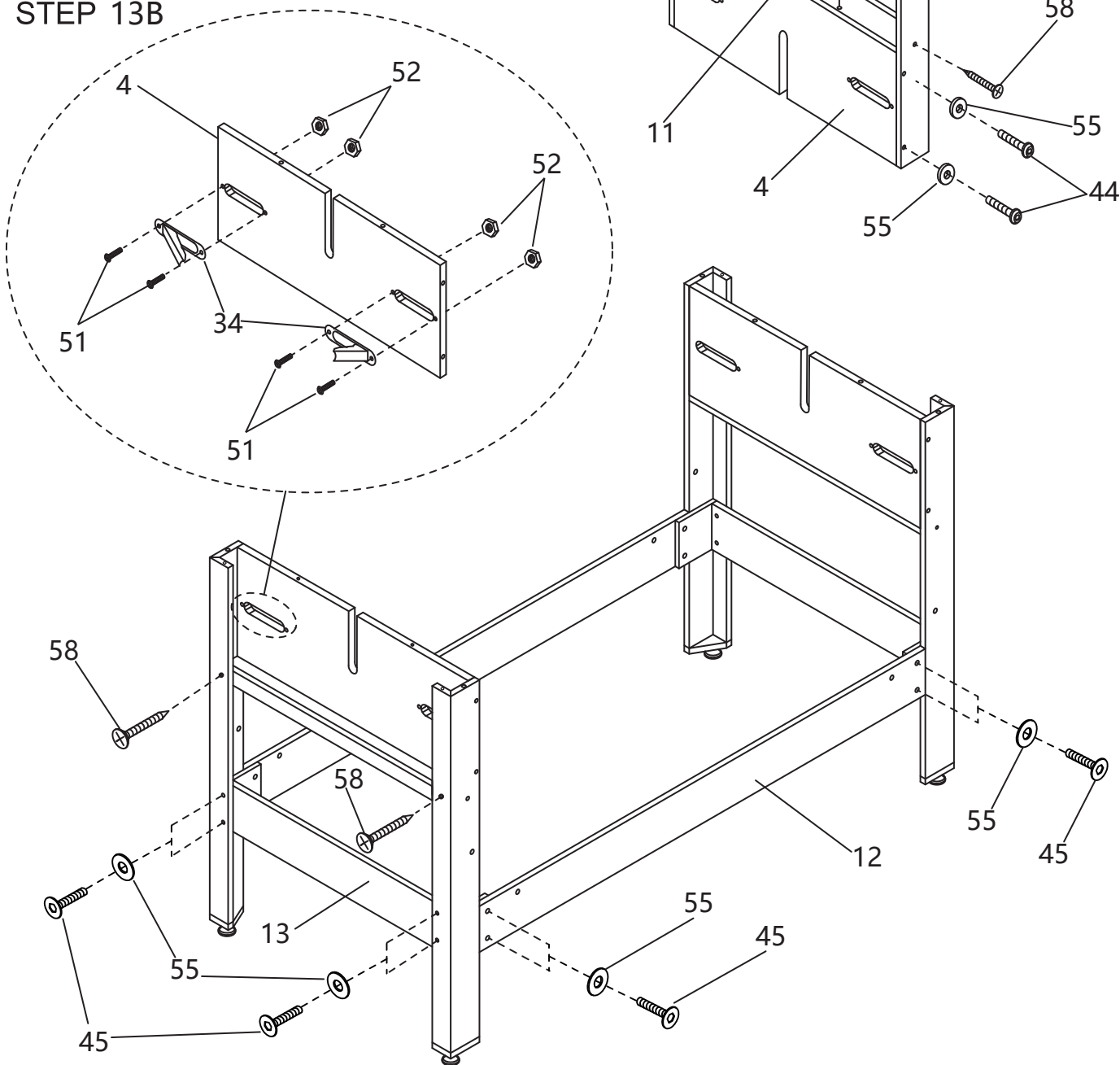
Assembly Instructions

WARNING: TWO ADULTS ARE NEEDED TO ASSEMBLE THE SOCCER TABLE

STEP 13A



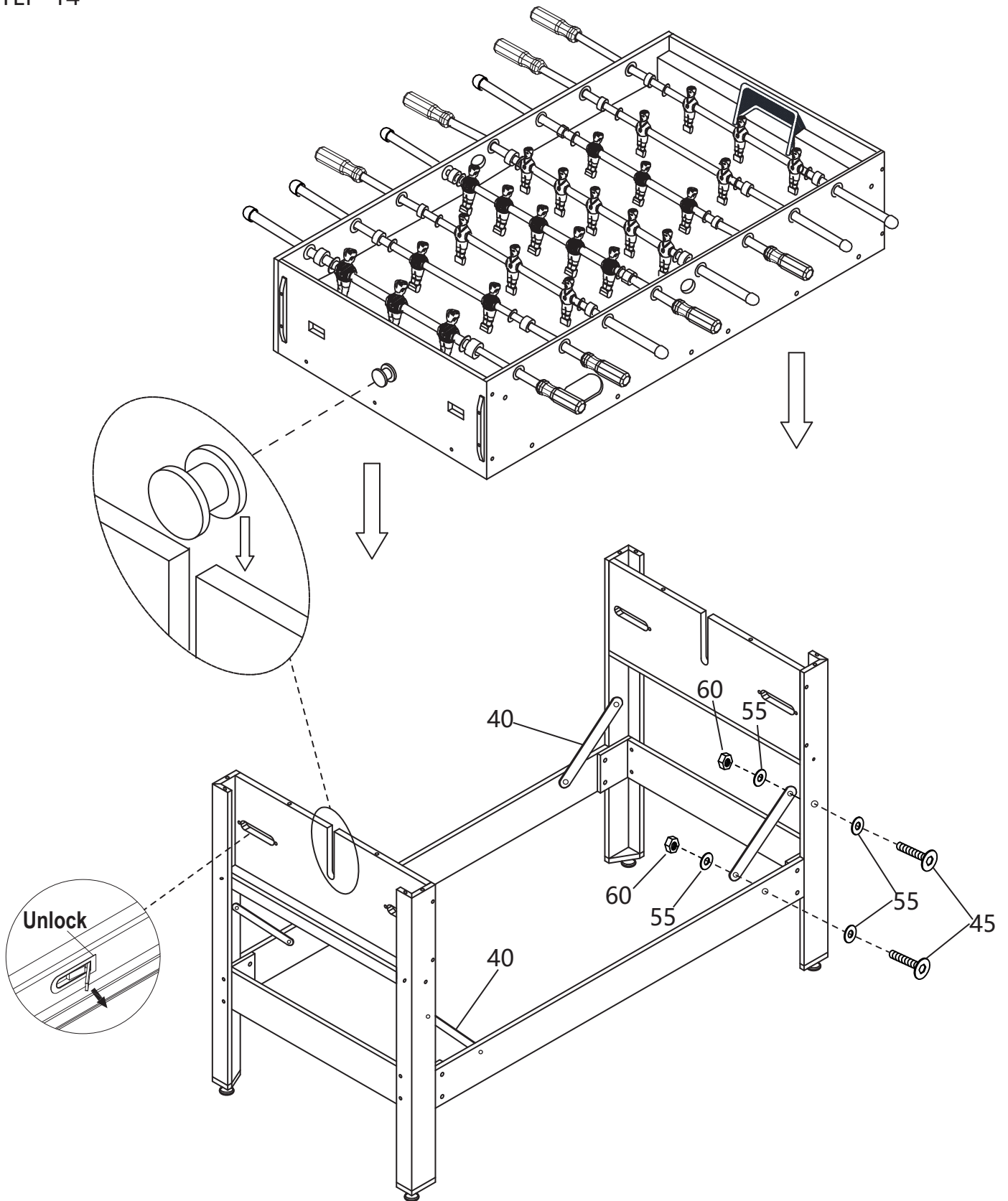
STEP 13B



Assembly Instructions

WARNING: TWO ADULTS ARE NEEDED TO ASSEMBLE THE SOCCER TABLE

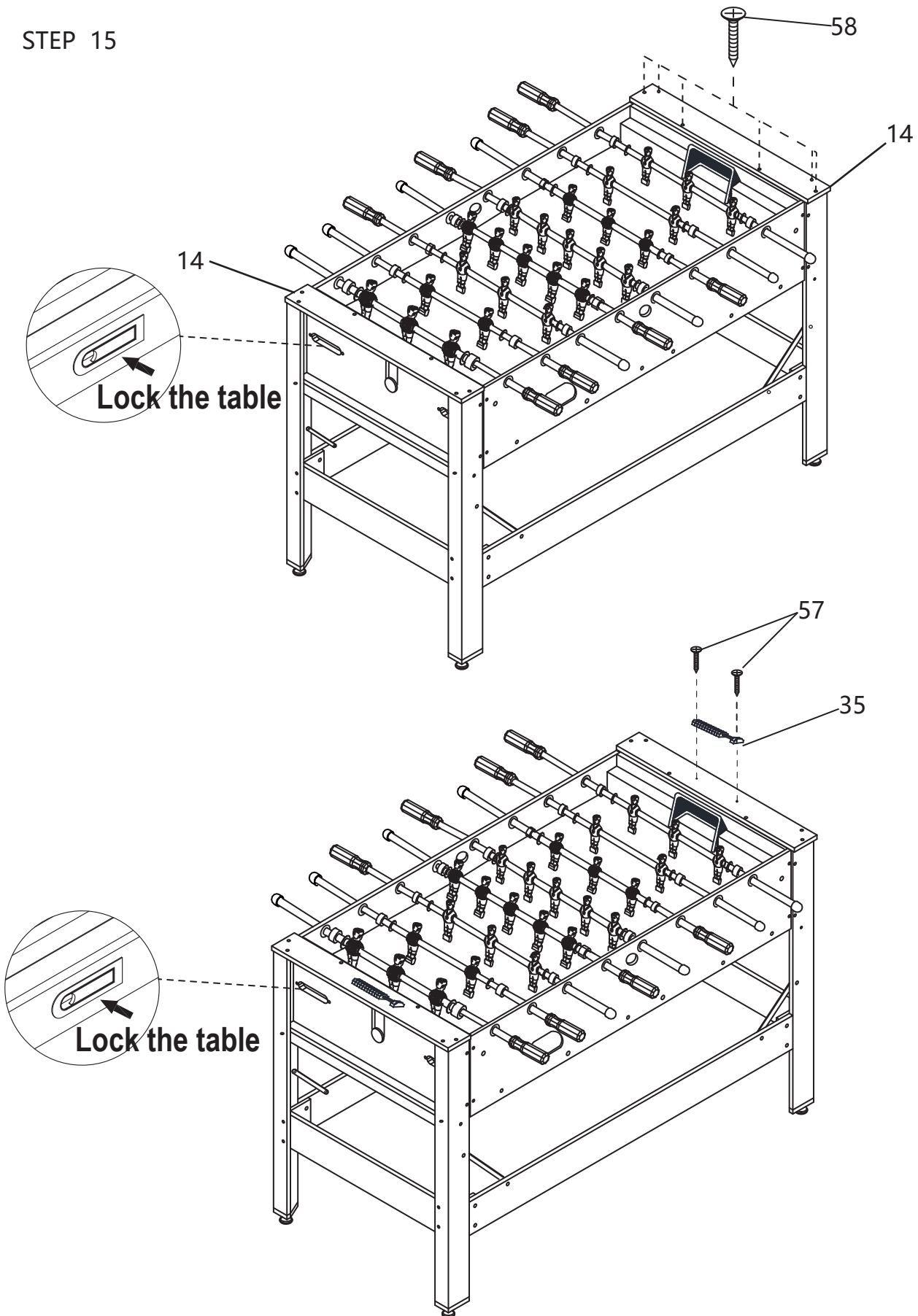
STEP 14



Assembly Instructions

WARNING: TWO ADULTS ARE NEEDED TO ASSEMBLE THE SOCCER TABLE

STEP 15



15

Assembly Instructions

WARNING: TWO ADULTS ARE NEEDED TO ASSEMBLE THE SOCCER TABLE

STEP 16

When you want to rotate the table, please attach the 8 Play Rod Stoppers (#33) to each play rod first to keep the player rod from the moving.

